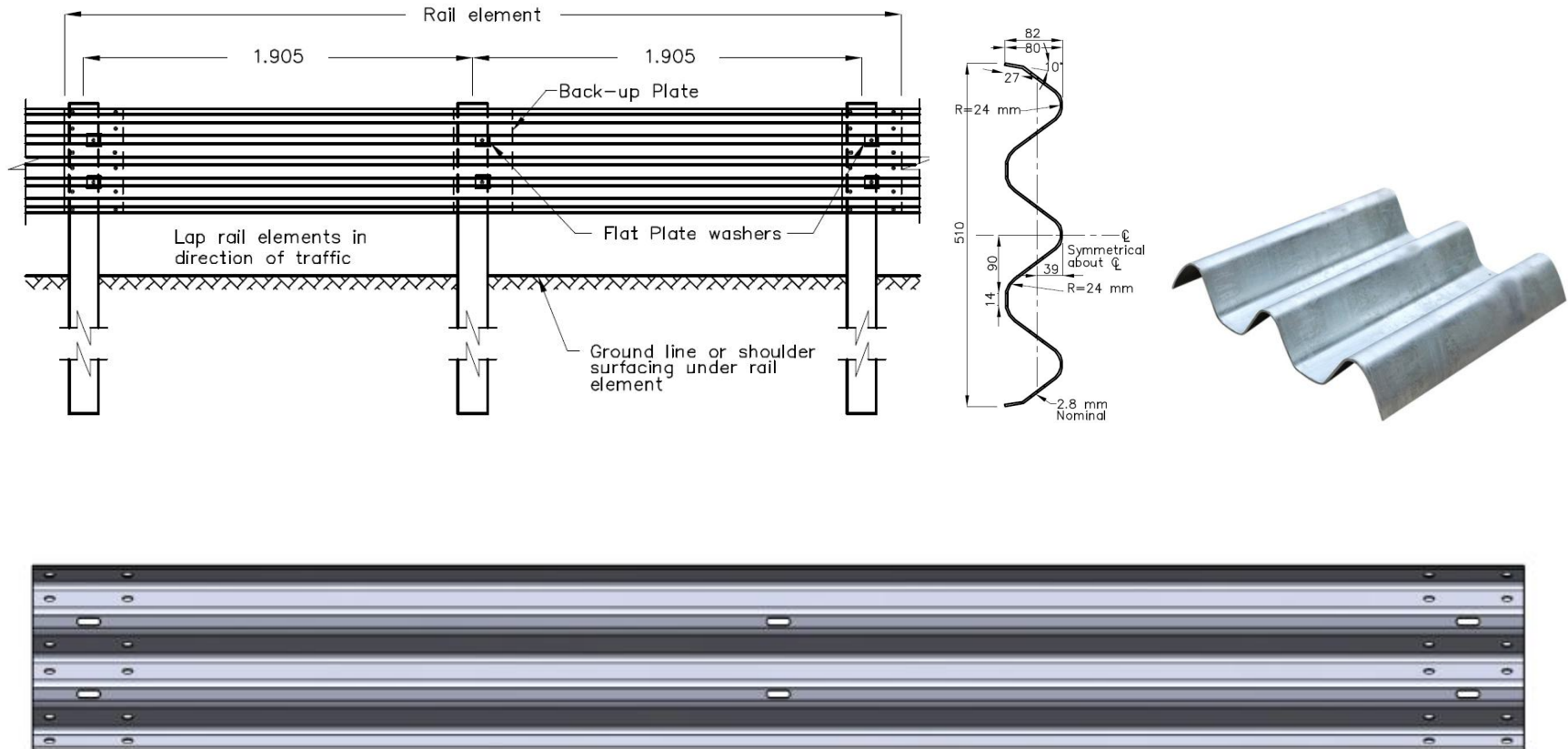


TECHNICAL SPECIFICATION

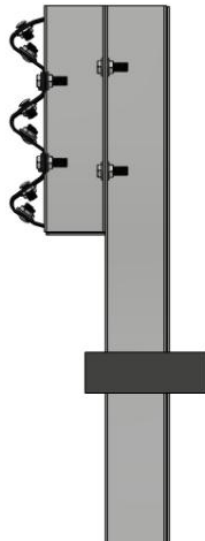
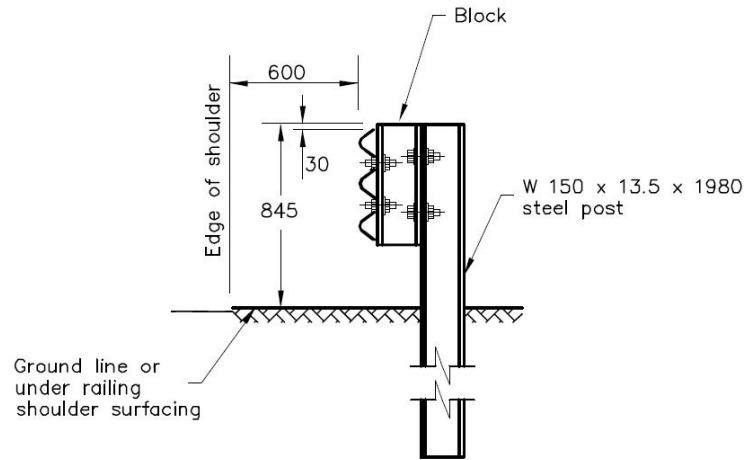
TERMS OF REFERENCES

FOR THE STEEL ROAD GUARDRAILS

| No. | Designation | Description Highway Guardrail according to Customer's technical parameters & AASHTO M180 Standard | | | | |
|-----|------------------|--|----------------------|---------------------|------|-------|
| 1.0 | Product List | NO. | Name | Technical Parameter | Unit | Note. |
| | | 1 | Thrie Beam Guardrail | 4130*510*82*2.8 | Pcs | |
| | | 2 | Guardrail H Post | W150*13.5*1980 | Pcs | |
| | | 3 | Guardrail H Spacer | W150*13.5*554 | Pcs | |
| | | 4 | Backup Plate | 300*310*2.8 | Pcs | |
| | | 5 | Flat Plate Washer | 75*44*4.0 | Pcs | |
| | | 6 | Bolt&Nuts | M16*35 | Pcs | |
| | | 7 | Bolt&Nuts | M16*50 | Pcs | |
| 2.1 | W Beam Guardrail | Name: Hot Dip Galvanized W Beam Guardrail Dimensions: 4310*510*82*2.8mm Zinc Coating: 1100g/m ² Material: SS355JR | | | | |



| | | |
|-----|--------|--|
| 2.2 | H Post | <p>Name: Hot Dip Galvanized Sigma Post Dimensions: 150*100*1980 Zinc Coating: 1100g/m² Material: A36</p> |
|-----|--------|--|



2.3

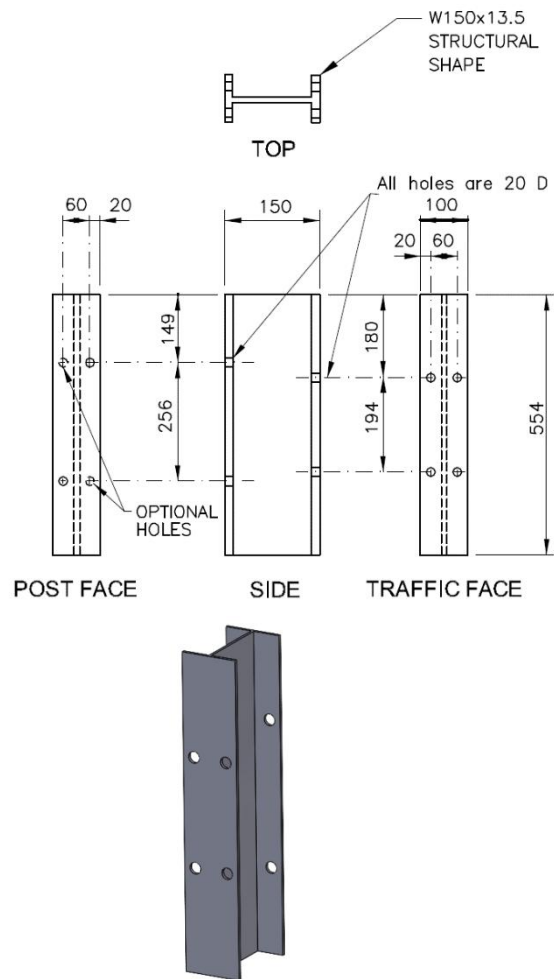
H Spacer

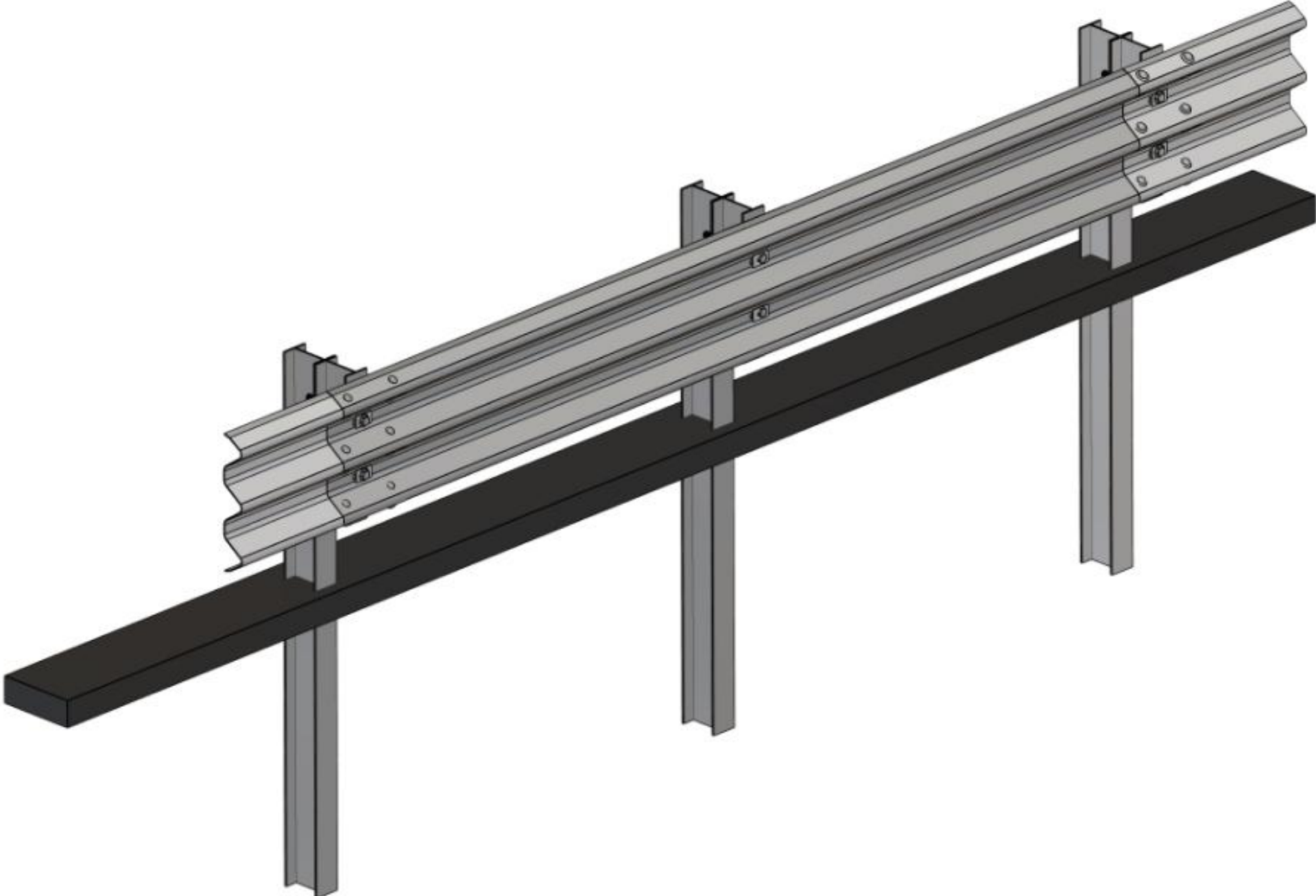
Name: Hot Dip Galvanized H Post

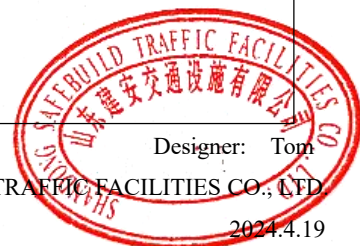
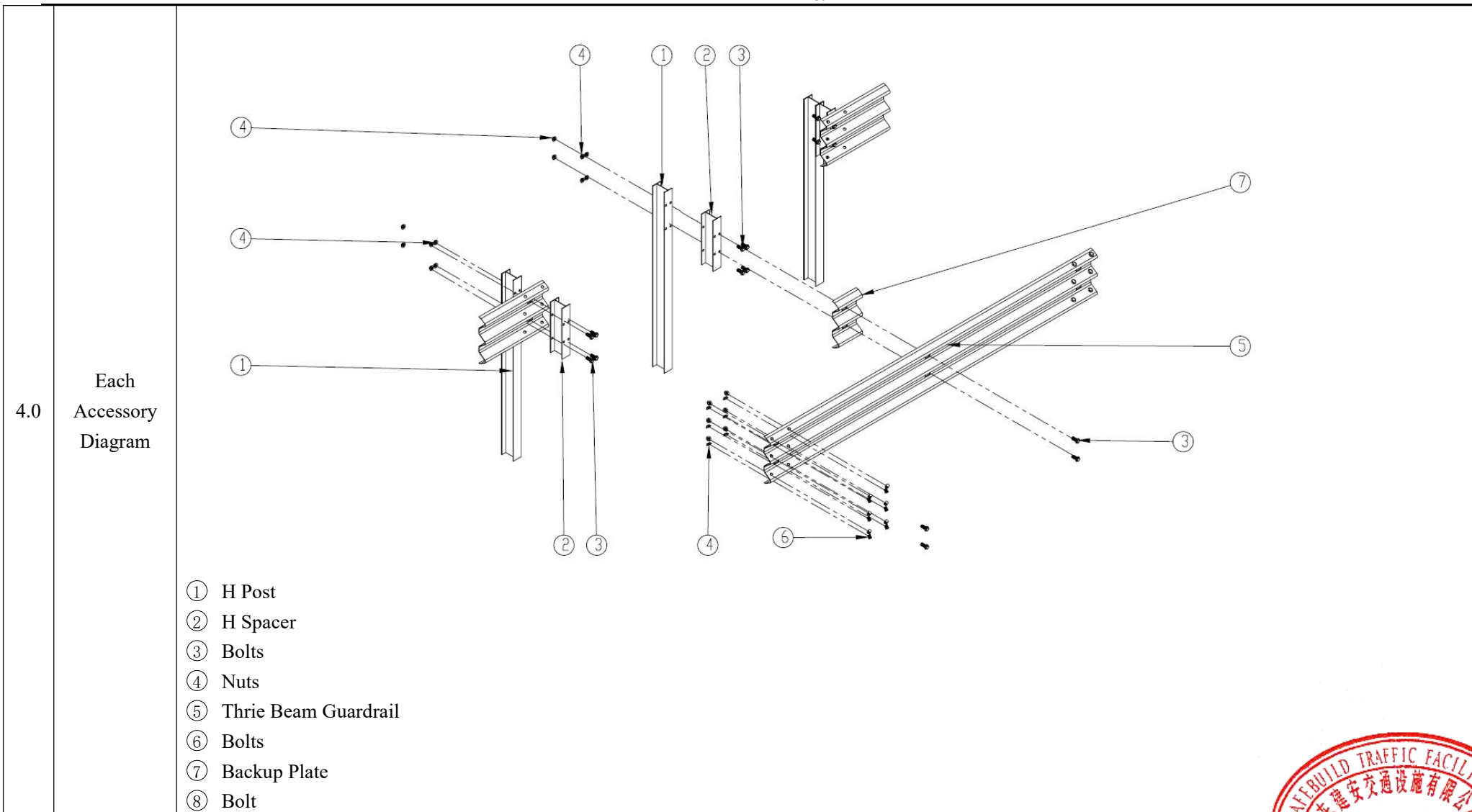
Dimensions: 150*100*554

Zinc Coating: 1100g/m²

Material: A36



| | | |
|-----|------------------|---|
| 3.0 | Assembly drawing |  |
|-----|------------------|---|



Designer: Tom